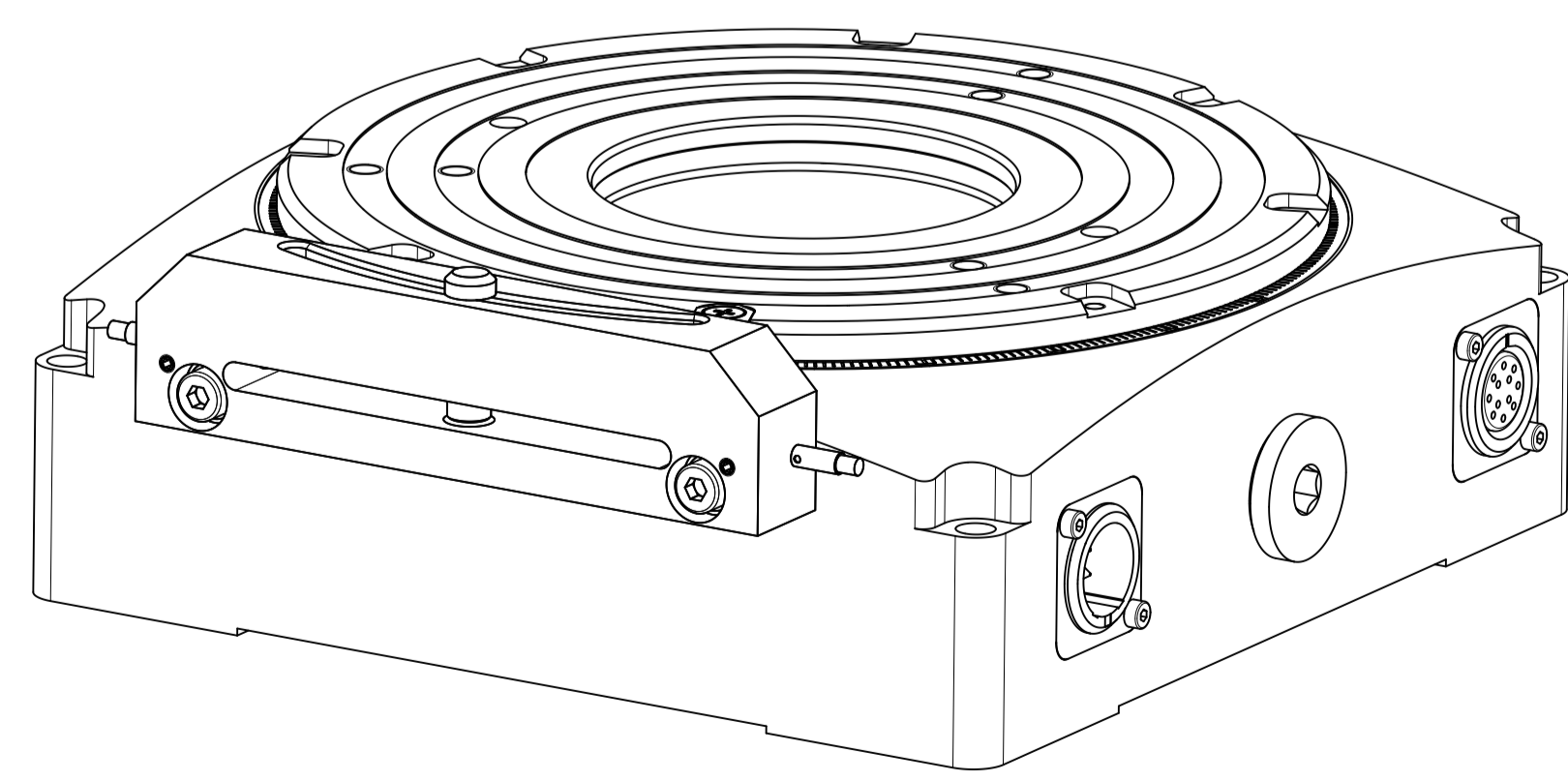
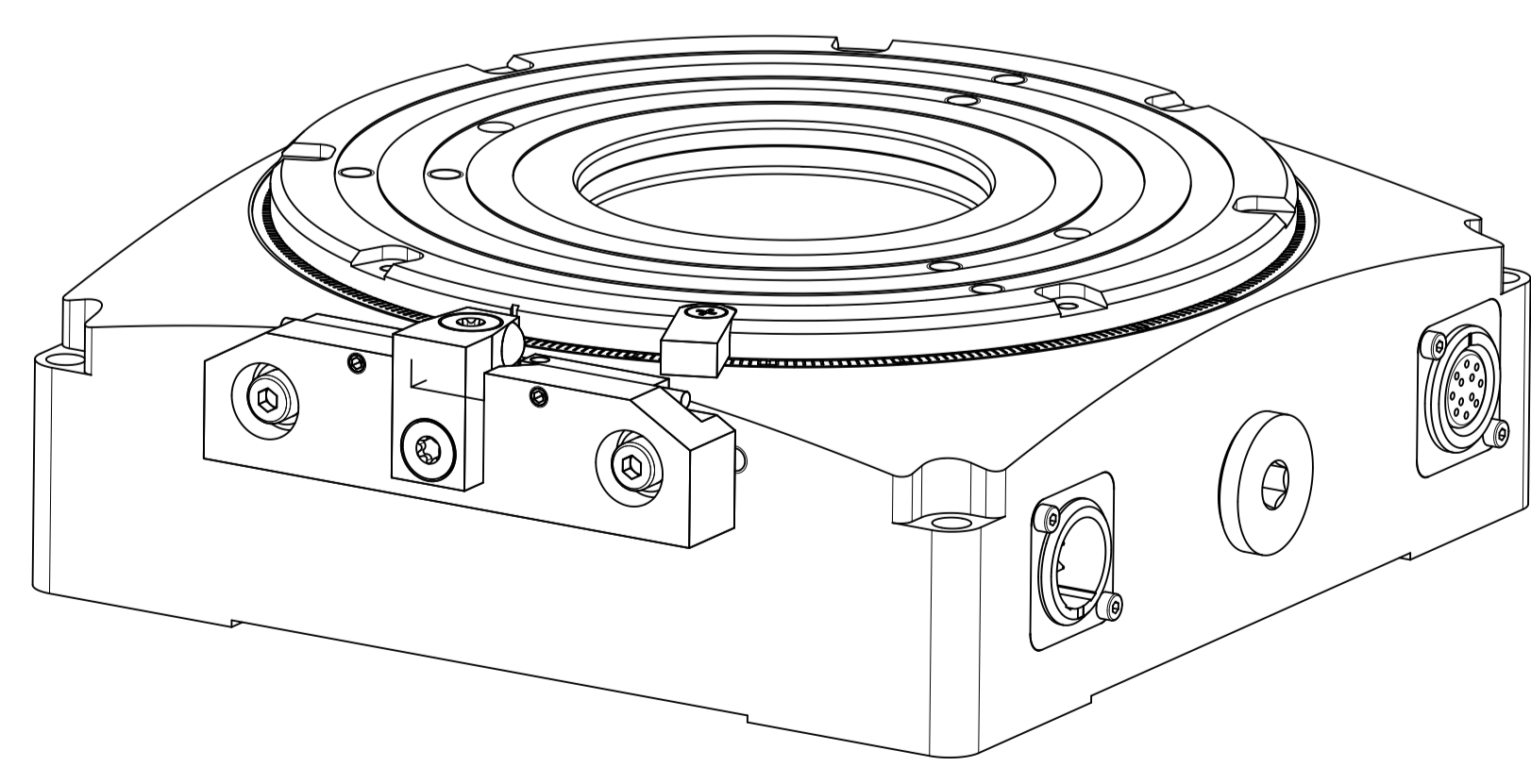
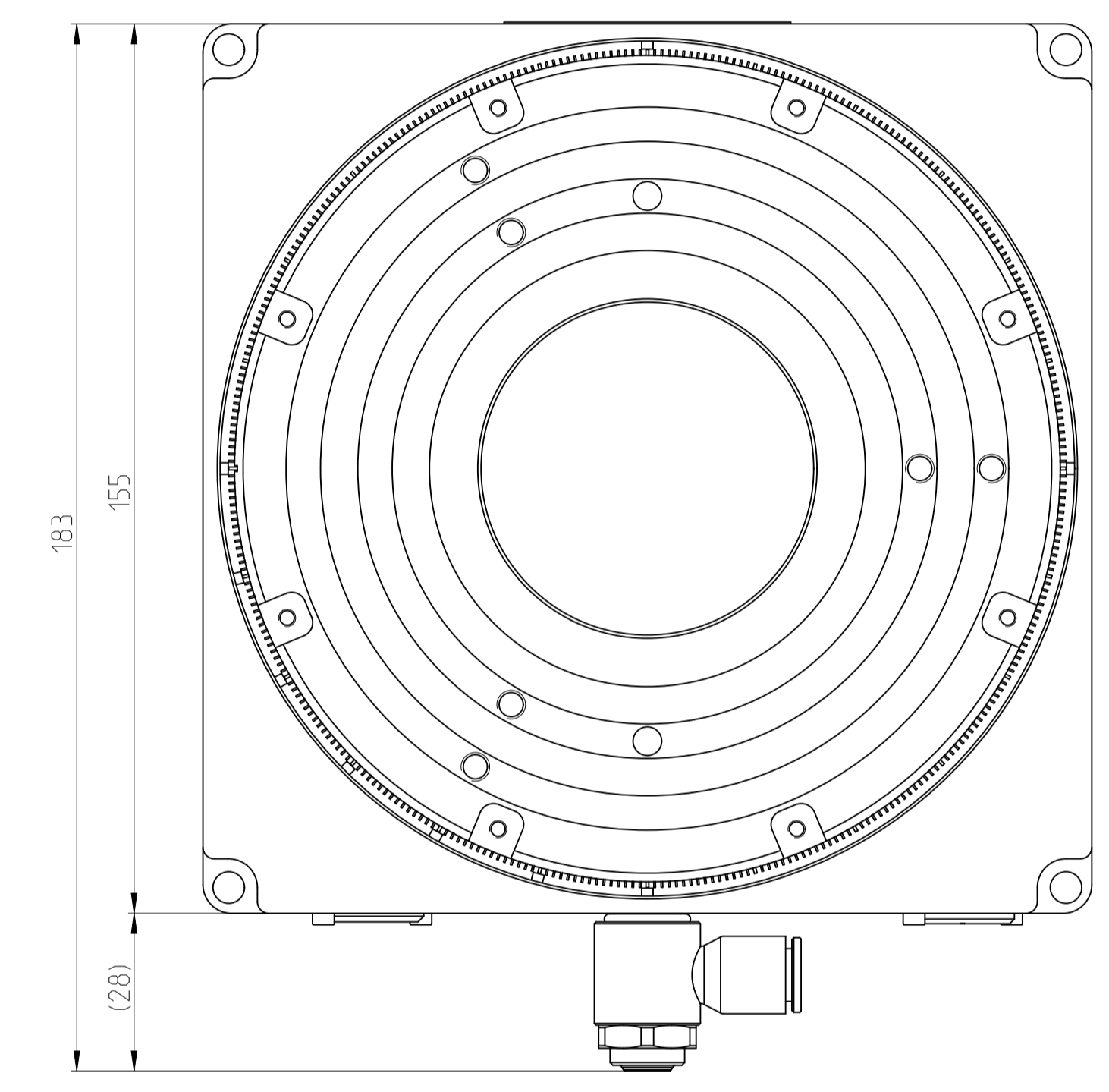
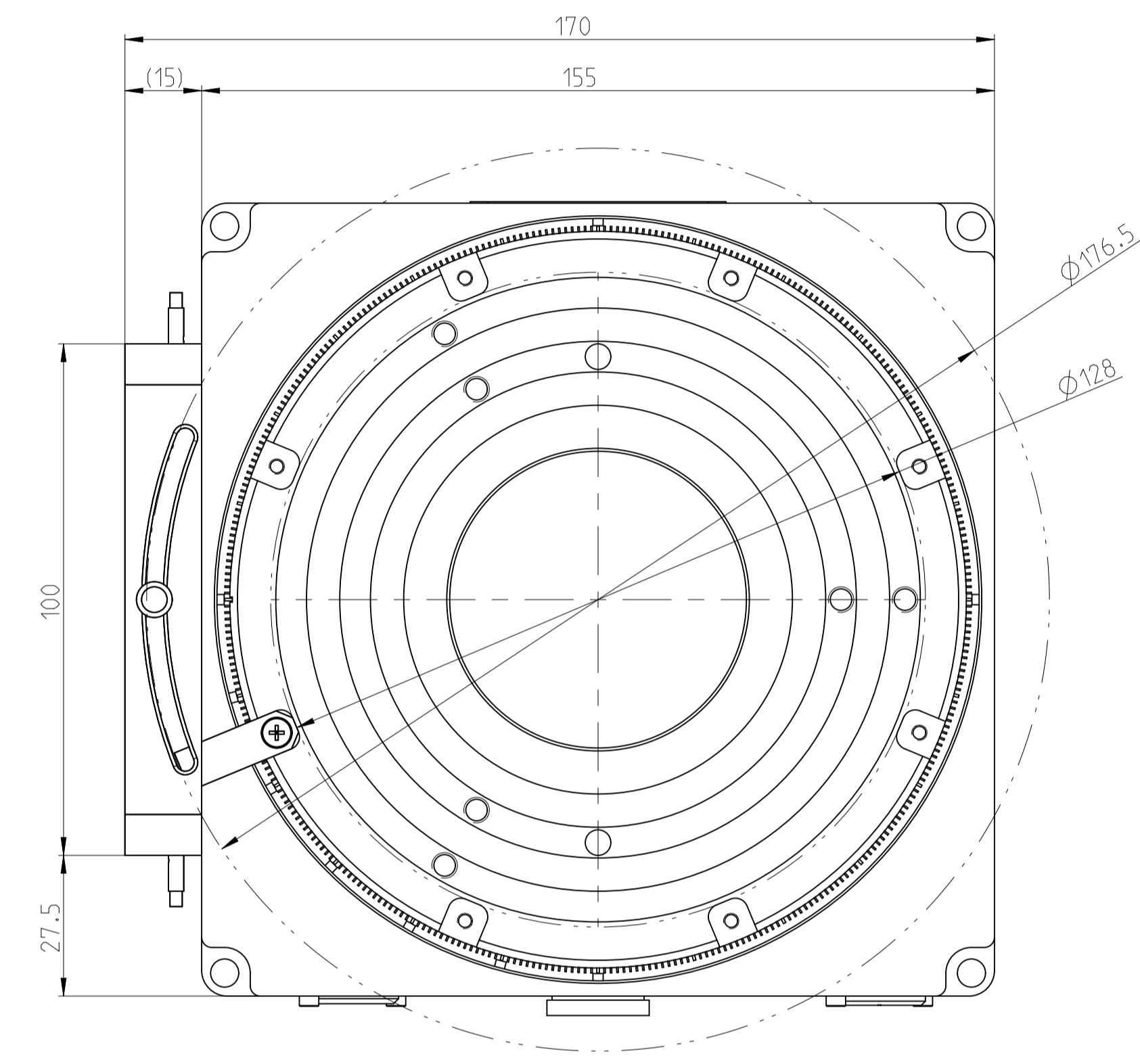
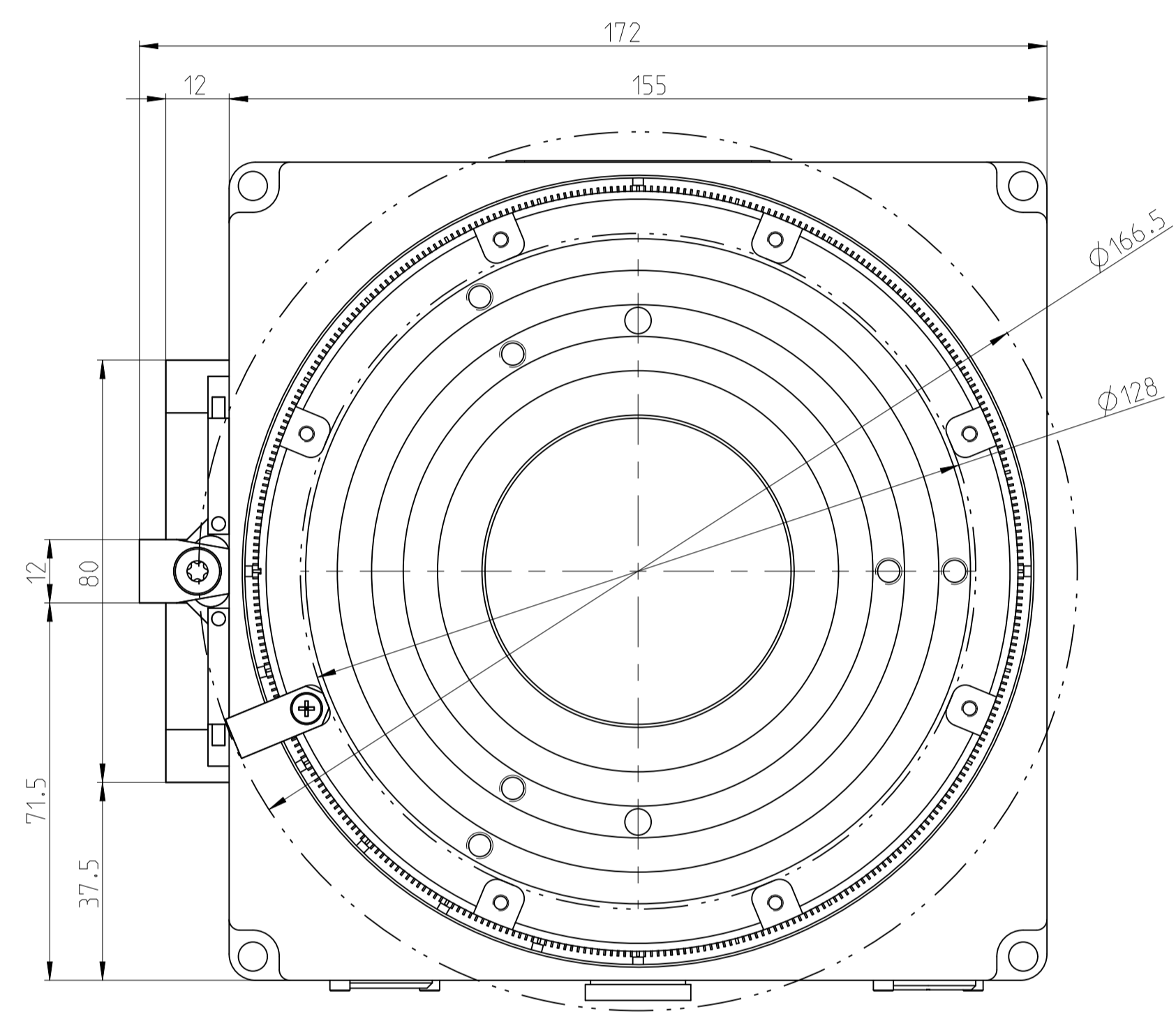
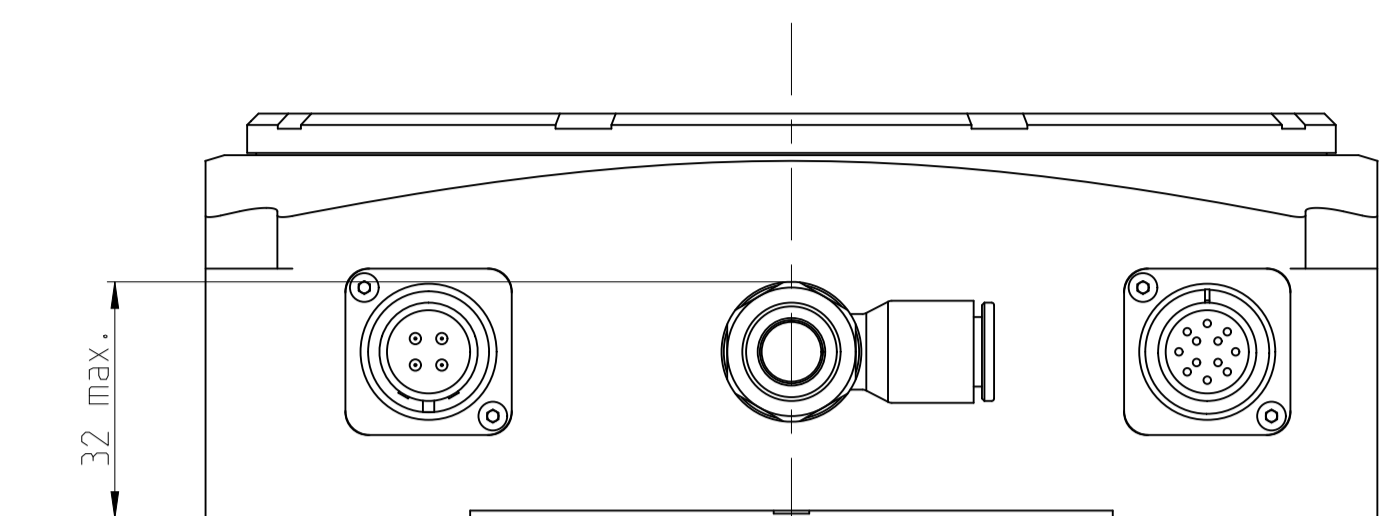
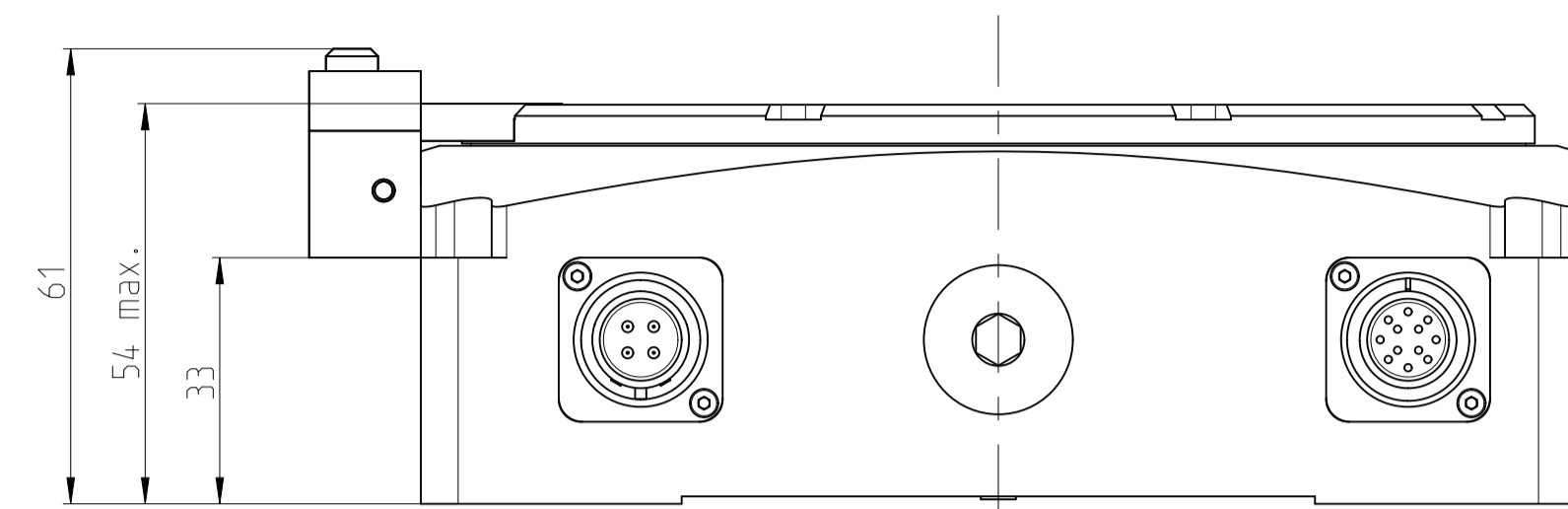
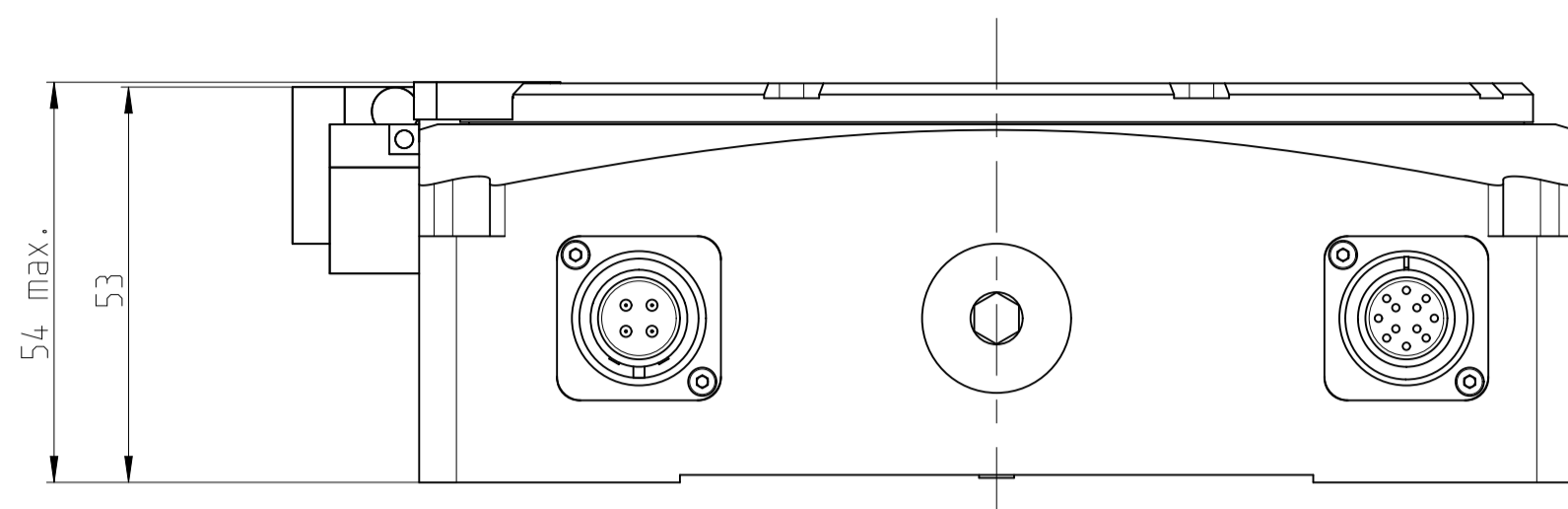


02 A	Text : - Release n° : C012323-10	Serial production	745534-01 Part number
Material :	-	-	-
Treatment:	-	-	-
Edges of undefined shape ISO 13715	-0.3	+0.3	-
ASME-DXRTO1550303NASXXX-T STANDALONE AXIS			Drawn : Chichiric 01.12.2014
ASME-DXRTO1550303NASXXX-T STANDALONE AXIS			Checked : Mazerolle 20.02.2015
ETEL S.A. 2112 Möllens SWITZERLAND		This document is the property of ETEL S.A. and is submitted in confidence. Disclosure, reproduction or publication without written authorization is prohibited.	Projection : Size : A2 Scale : 1:1 Old n° : 0243m 751177 Version : 02 Revision : A Sheet : 01 Page : 1/2

fixed_mechanical_end-stop (optional)

mobile_mechanical_end-stop (optional)

air_purge (optional)



02	Text : -	745534-01
A	Release n° : C012323-10	Serial production
Material :	-	Part number
Treatment:	-	
Edges of undefined shape ISO 13715	-	
	$\sqrt{0.3}$ $\sqrt{0.3}$	
ASME-DXRTO1550303NASXXXX-T STANDALONE AXIS		Drawn
ASME-DXRTO1550303NASXXXX-T STANDALONE AXIS		Checked
ETEL S.A.		Approved
7112 Möllens		Chichric
SWITZERLAND		Mazerolle
This document is the property of ETEL S.A. and is submitted in confidence. Disclosure, reproduction or application without written authorization is prohibited.		01.12.2014
Projection	Size	Scale
Original	A1	1:1
Doc n°	751177	02 A
Version/Revision	01	01
Sheet	2	2
Page		