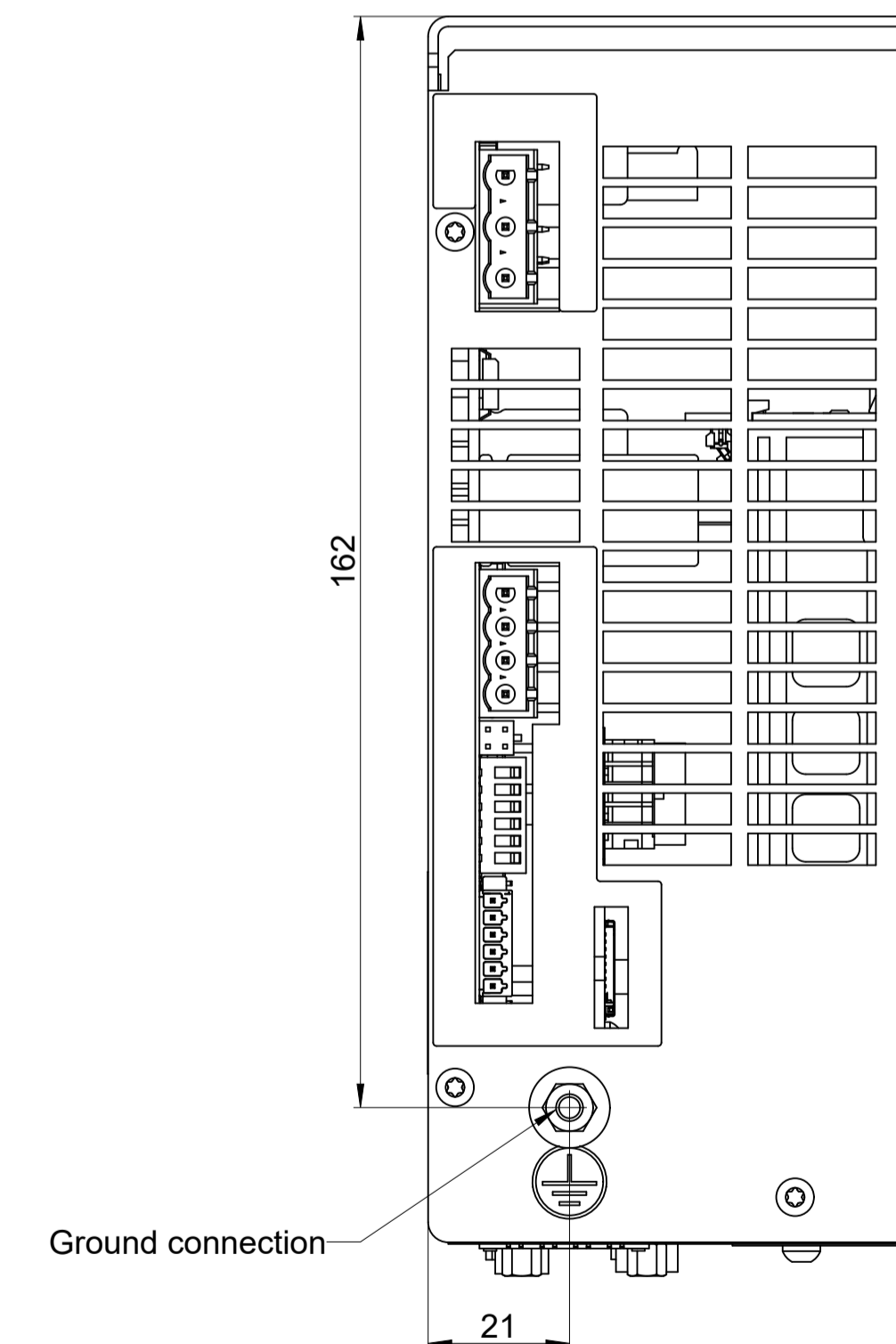
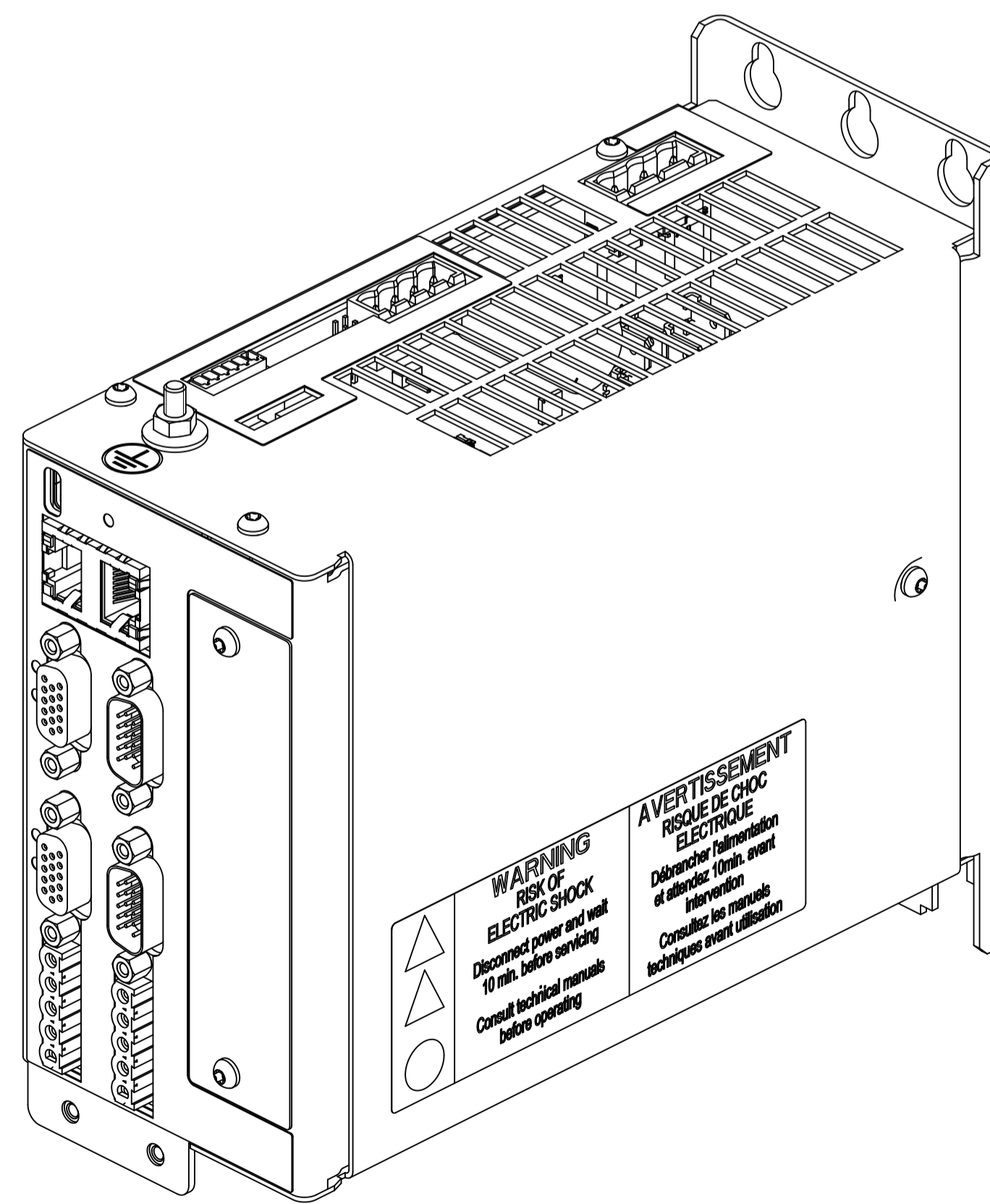
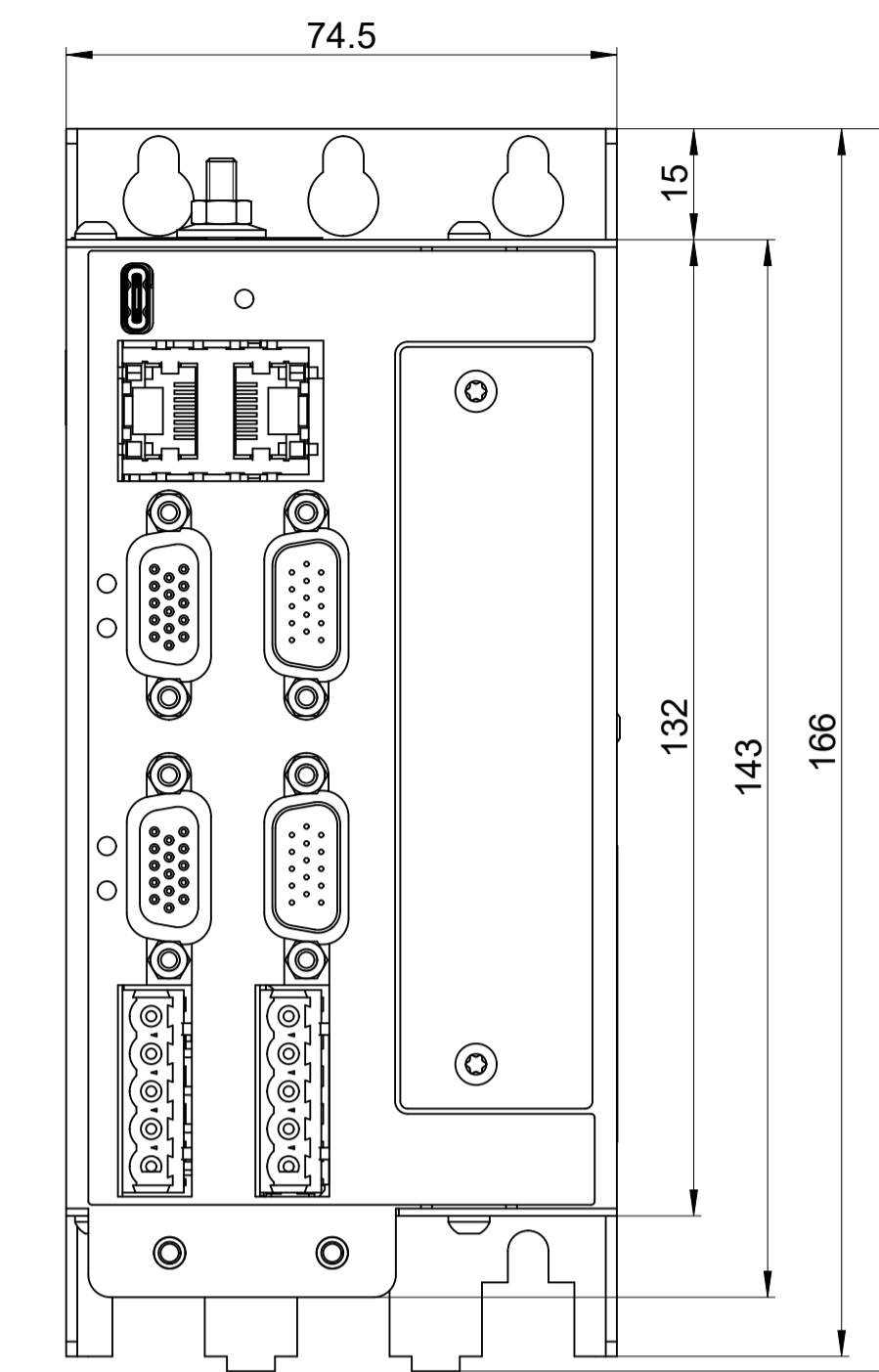
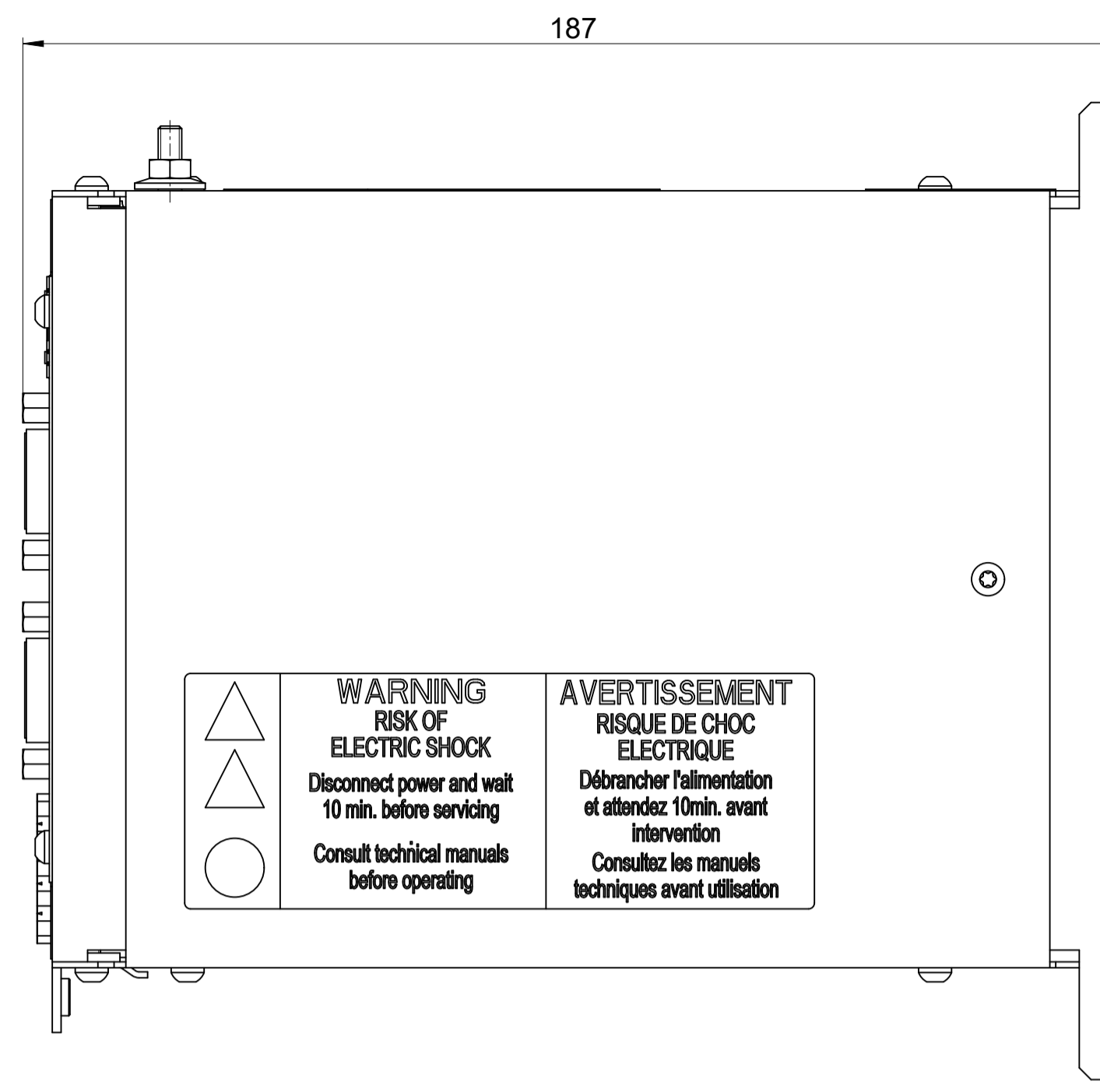
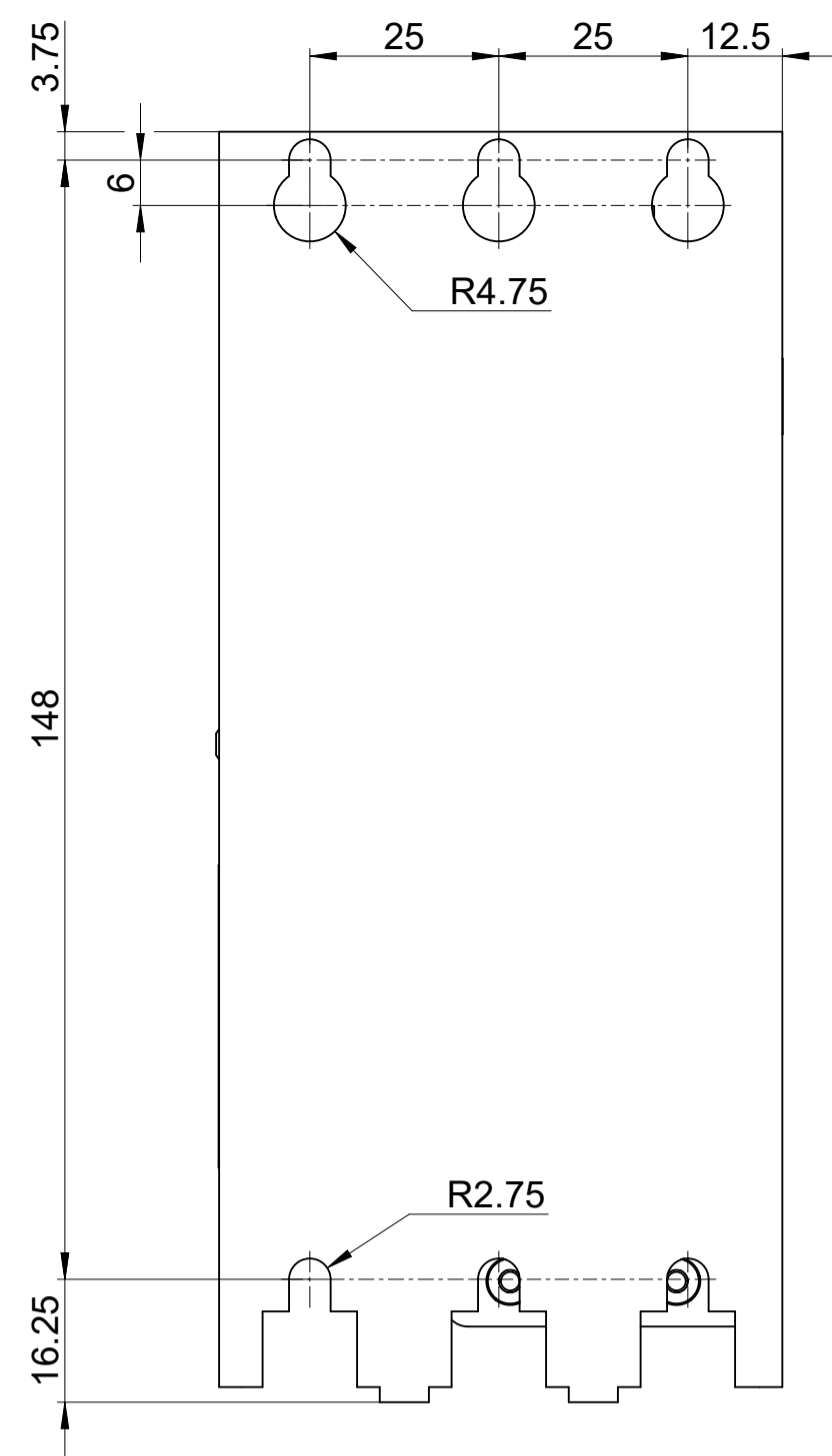


Text:		ID number: 1379599-00
Change No. C141061-11		Released: 23-May-22
		EA+P2M-100 AccurET+ 100 Box
Original drawing Scale: 1:1 Format: A1		EA+P2M-100 AccurET+ 100 Box
Dimensions in mm: 1:1 A1		Mating Dimensions / Cotes d'encadrement Tolerances as per ISO 8015 : 2011 Tolérances selon ISO 8015 : 2011 Dimensions without tolerance: ± 0.2 Dimensions sans tolérances: ± 0.2
The reproduction, distribution and utilization of this document as well as the communication of its contents to others without express authorization is prohibited. Offenders will be held liable for the payment of damages. All rights reserved in the event of the grant of a patent, utility model or design. ( ISO 18015 )		
		ETEL S.A. 2112 Möllers SWITZERLAND
Version   Revision   Sheet   Page		1381644-00 - A-01 1 of 1
Document number		



Text:		ID number:	1379600-00
Original drawing		Change No.:	C141061-11
Scale		Released:	23-May-22
Format		EA+P2M-100 AccurET+ 100 op Box	
Dimensions in mm		EA+P2M-100 AccurET+ 100 op Box	
1:1		Mating Dimensions / Coles d'encastrement	
A1		Tolerances as per ISO 8015 : 2011	
		Tolerances selon ISO 8015 : 2011	
		Dimensions without tolerance	
		Dimensions sans tolérances	
		± 0.2	
The reproduction, distribution and utilization of this document as well as the communication of its contents to others without express authorization is prohibited. Offenders will be held liable for the payment of damages. All rights reserved in the event of the grant of a patent, utility model or design. ( ISO 18015 )			
<b>ETEL</b>		ETEL S.A. 2112 Möllers SWITZERLAND	
		Version   Revision   Sheet   Page	
		1381641-00 - A-01	
		1 of 1	
		Document number	